



D25 – Professional Outdoor Dome Camera

- **High-Performance Dome Camera For Indoor And Outdoor Use**
Applicable as day or night system with detailed 6MP color or B/W Sensor
- **Modular System For Maximum Flexibility**
Easy-to-exchange lenses with horizontal image angles from 15° to 103°
- **Intelligent 3D Motion Detection And Video Analysis**
MxActivitySensor and MxAnalytics integrated as standard
- **Reduced Energy Costs**
Power consumption < 5 W, standard PoE
- **Virtually Maintenance-Free (IP66)**
Weatherproof, operates reliably from -30 to 50°C

Technical Specifications

MOBOTIX D25 Dome



Camera Variants	D25 Body Day Or Night Lens For Self-Assembly	D25 Day Complete Camera	D25 Night Complete Camera
Specialties	D25 Body with 6MP Day or Night sensor: MX-D25-BOD1 or MX-D25-BOD1-N ; Lenses available separately for self-assembly	Factory-assembled D25 Day or Night cameras with sharply focused lens (not available in the Americas)	
Lenses	D25 Body Day Or Night Lens For Self-Assembly	D25 Day Complete Camera	D25 Night Complete Camera
Ultra Wide Lens MX-B036 (f/1.8, 103° x 77°)	Lens selection for D25 Body Day/Night Body Day: MX-D25-BOD1 Body Night: MX-D25-BOD1-N	MX-D25-D036	MX-D25-N036
Super Wide Lens MX-B041 (f/1.8, 90° x 67°)		MX-D25-D041	MX-D25-N041
Wide Lens MX-B061 (f/1.8, 60° x 45°)		MX-D25-D061	MX-D25-B061
Standard Lens MX-B079 (f/1.8, 45° x 34°)		MX-D25-D079	MX-D25-N079
Tele Lens MX-B119 (f/1.8, 31° x 23°)		MX-D25-D119	MX-D25-N119
Distant Tele Lens MX-B237 (f/1.8, 15° x 11°)		MX-D25-D237	MX-D25-N237
Hardware	D25 Body Day Or Night Lens For Self-Assembly	D25 Day Complete Camera	D25 Night Complete Camera
Image sensor with individual exposure zones	Color or Black & White (B/W)	Color	B/W
Light sensitivity in lux at 1/60 s and 1/1 s	0.1/0.005 (Color) 0.02/0.001 (B/W)	0.1/0.005 (Color)	0.02/0.001 (B/W)
Image sensor (color or B/W sensor)	1/1.8" CMOS, 6MP (3072 x 2048), Progressive Scan		
Microprocessor	PXA320 XScale Single Core		
H.264 Hardware Codec	No		
Protection classes	IP66 and IK09 (IK10 with Vandalism Set)		
Intended use	Not for use in hazardous areas (Ex area)		
Ambient temperature (range, incl. storage)	-30 to 50°C/-22 to 122°F		
Internal DVR, ex works	4 GB (microSD)		
Microphone/speaker	No/No (optional audio extension via external ExtIO module)		
Passive infrared sensor (PIR)	No		
Temperature sensor	Yes		
Shock detector (tamper detection)	Yes		
Power consumption (typical)	< 4.5 watts		
PoE Class (IEEE 802.3af)	Class 2 or 3 (variable), factory setting: class 3		
Interfaces Ethernet 100BaseT/MxBus/USB	Yes (MxRJ45)/Yes/Yes		
Interface RS232	With accessory (MX-232-IO-Box)		
Mounting options	Wall, ceiling or pole (with optional Wall & Pole/Corner Mount Set)		
Dimensions (height x diameter)	86 x 160 mm		
Weight	350 g		
Housing	Fixed Dome, PBT-30GF, color: white		
Standard accessory	Screws, dowels, allen screw, toothed wrench, Torx wrench, 0.5 m ethernet patch cable, Quick Install, 1x lens cover		
Detailed technical documentation	www.mobotix.com > Support > Manuals		
Online version of this document	www.mobotix.com > Support > Spec Sheets		
MTBF	> 80,000 hours		

Technical Specifications

MOBOTIX D25 Dome



Hardware	D25 Body Day Or Night Lens For Self-Assembly	D25 Day Complete Camera	D25 Night Complete Camera
Certifications	www.mobotix.com > Support > MxMedialibrary > Certificates		
Protocols	IPv4, IPv6, HTTP, HTTPS, FTP, SFTP, RTP, RTSP, UDP, SNMP, SMTP, DHCP (client and server), NTP (client and server), SIP (client and server) G.711 (PCMA and PCMU) and G.722		
Image Formats, Frame Rates, Image Storage	D25 Body Day Or Night Lens For Self-Assembly	D25 Day Complete Camera	D25 Night Complete Camera
Available video codecs	MxPEG/MJPEG		
Image formats	Freely configurable format 4:3, 8:3, 16:9 or customized format (Image Cropping), such as 2592x1944 (5MP), 2048x1536 (QXGA), 1920x1080 (Full-HD), 1280x960 (MEGA)		
Multistreaming	Yes		
Multicast stream via RTSP	No		
Max. image format	6MP (3072 x 2048)		
Max. frame rate (fps)	MxPEG: 30@HD(1280x720), 30@Mega, 20@QXGA, 10@5MP, 8@6MP MJPEG: 20@HD(1280x720), 15@Mega, 8@QXGA, 5@5MP, 4@6MP		
Number of images with 4 GB microSD (internal DVR)	CIF: 250,000, VGA: 125,000, HD: 40,000, QXGA: 20,000, 6MP: 10,000		



General Functions	D25 Body Day Or Night Lens For Self-Assembly	D25 Day Complete Camera	D25 Night Complete Camera
Digital zoom and pan		Yes	
ONVIF compatibility		No	
Genetec protocol integration		Yes	
Programmable exposure zones		Yes	
Snapshot recording (pre/post-alarm images)		Yes	
Continuous recording with audio		With external audio accessory (MOBOTIX ExtIO)	
Event recording with audio		With external audio accessory (MOBOTIX ExtIO)	
Time controlled flexible event logic		Yes	
Weekly schedules for recordings and actions		Yes	
Event video and image transfer via FTP and email		Yes	
Playback and QuadView via web browser		Yes	
Bidirectional audio in browser		With external audio accessory (MOBOTIX ExtIO)	
Animated logos on the image		Yes	
Master/Slave functionality		Yes	
Privacy zone scheduling		Yes	

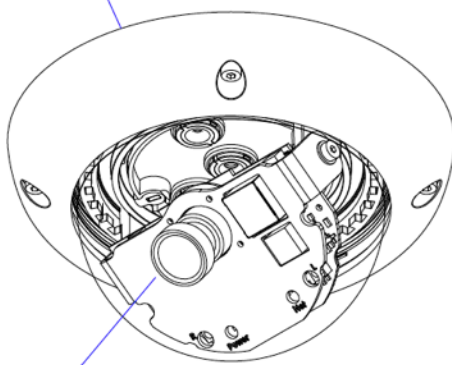
Technical Specifications

MOBOTIX D25 Dome



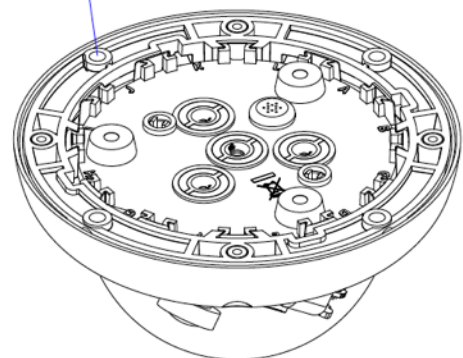
General Functions	D25 Body Day Or Night Lens For Self-Assembly	D25 Day Complete Camera	D25 Night Complete Camera
Customized voice messages	Yes		
VoIP telephony (audio/video, alert)	With external audio accessory (MOBOTIX ExtIO)		
Remote alarm notification (network message)	Yes		
Programming interface (HTTP-API)	Yes		
DVR	Inside camera via microSD card, externally via USB device and NAS, different streams for live image and recording, MxFFS with archive function, pre-alarm an post-alarm images, monitoring recording with failure reporting		
Camera and data security	User and group management, SSL connections, IP-based access control, IEEE802.1x, intrusion detection, digital image signature		
MxMessageSystem: Sending and receiving of MxMessages	Yes		
Video Analysis	D25 Body Day Or Night Lens For Self-Assembly	D25 Day Complete Camera	D25 Night Complete Camera
Video motion detector	Yes		
MxActivitySensor	Yes		
MxAnalytics	Yes (Heatmaps, counting corridors)		
Video Management Software	D25 Body Day Or Night Lens For Self-Assembly	D25 Day Complete Camera	D25 Night Complete Camera
MxManagementCenter	Yes		
Mobile MOBOTIX App	Yes		

Camera housing



Lens

Mounting ring

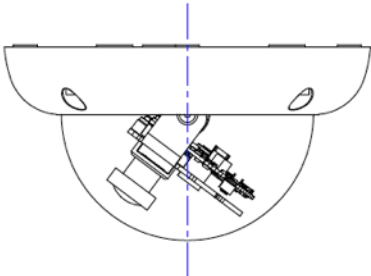


Technical Specifications

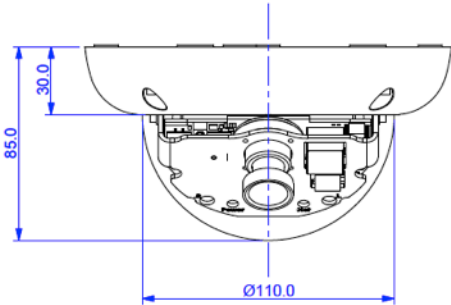
MOBOTIX D25 Dome



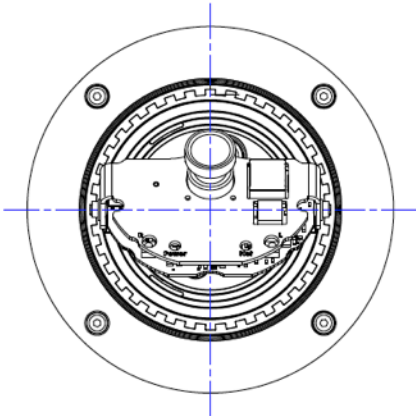
Side



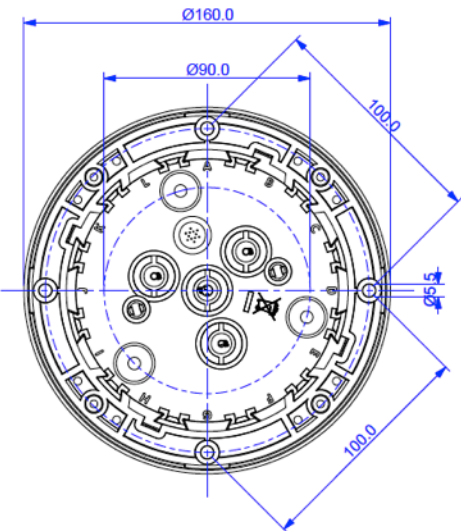
Front



Top



Bottom



Dimensions in mm